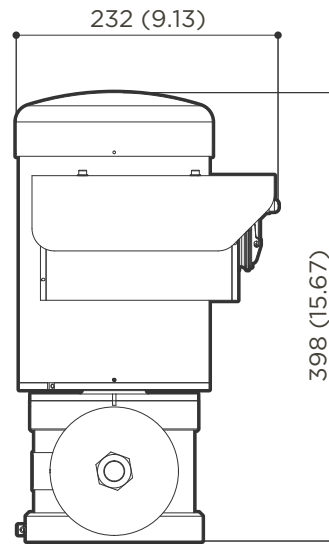
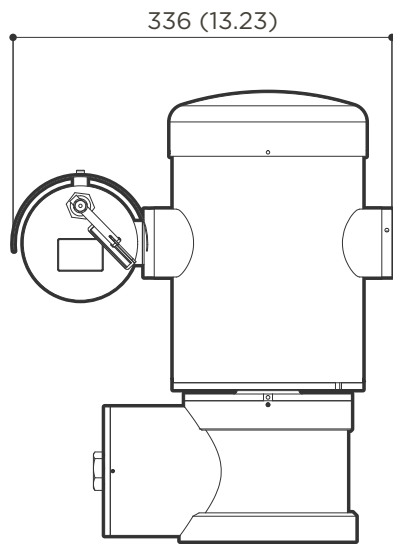
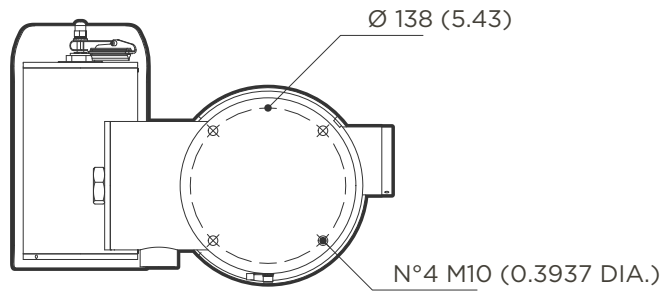
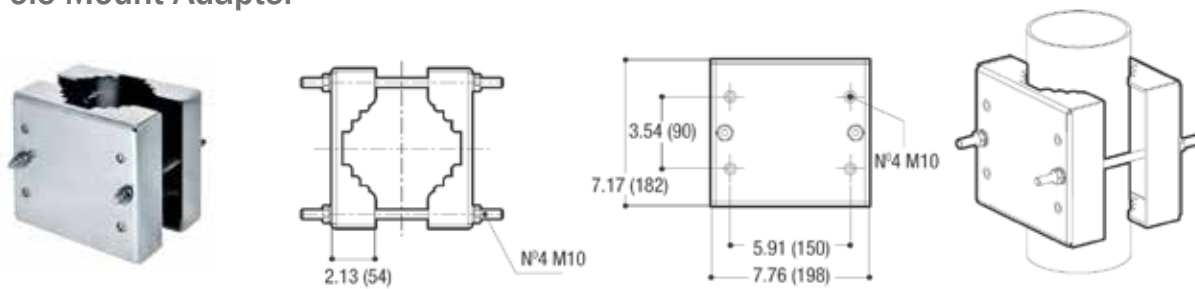


OVERALL DIMENSIONS Unit: mm (inches)



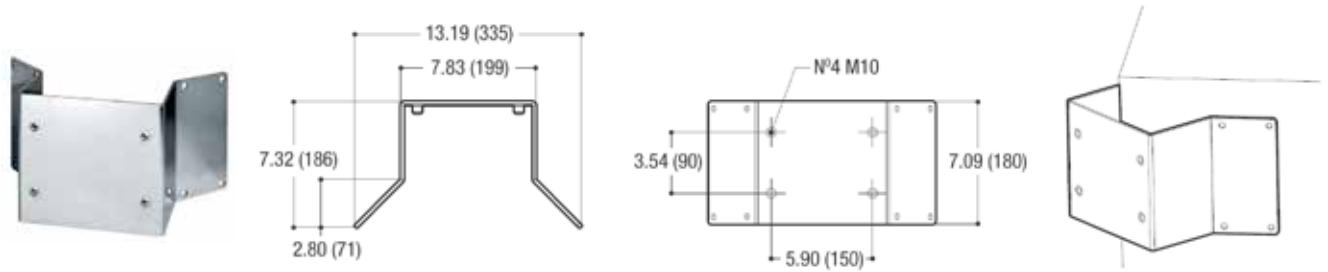
MOUNTING ACCESSORIES Unit: inch (mm)

Pole Mount Adapter



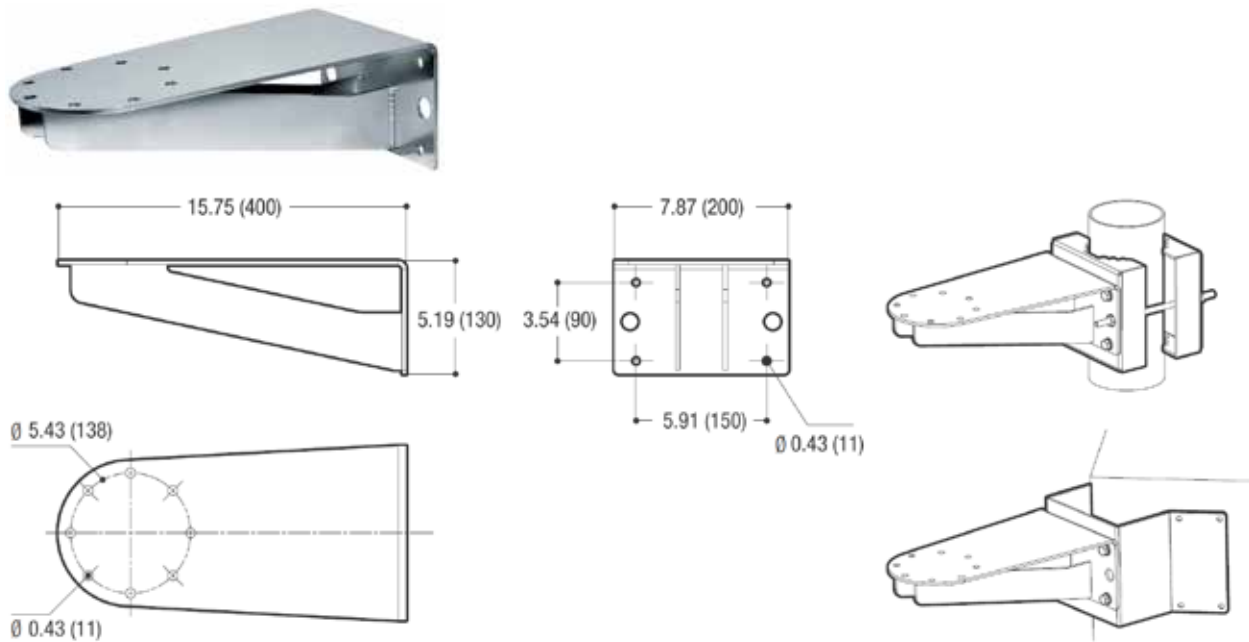
PART # POLE MOUNT ADAPTER	
EXA - MPXCOL	Made of AISI 316L electropolished stainless steel
	For pole diameters: 110-150mm (4.3 - 5.9in)
	Load Rating: 50kg (110lbs)
	Package Weight: 4.9kg (10.8lbs)
	Package Dimensions: 24x15x21.5cm (9.4x6x8.5in)

Corner Mount Adapter



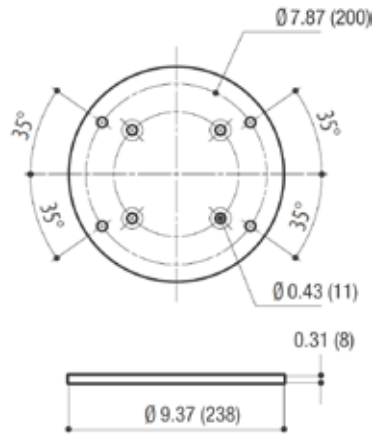
PART #	CORNER MOUNT ADAPTER
EXA - MPXCW	Made of AISI 316L electropolished stainless steel
	Load Rating: 50kg (110lbs)
	Package Weight: 4.8kg (10.6lbs)
	Package Dimensions: 36.5x25.5x26cm (14.4x10x10.2in)

Wall Mount



PART #	WALL MOUNT
EXA - MPXWBA	Made of AISI 316L electropolished stainless steel
	Load Rating: 40kg (88lbs)
	Package Weight: 6.5kg (14.3lbs)
	Package Dimensions: 58x34x22cm (23x13.4x8.7in)

Ceiling or Parapet Mount



PART #	CEILING OR PARAPET MOUNT
EXA - MPXWBTA	Made of AISI 316L electropolished stainless steel
	Load Rating: 40kg (88lbs)
	Package Weight: 3.2kg (7.1lbs)
	Package Dimensions: 33x27x6.5cm (13x11x2.4in)

CONFIGURATION



BASE UNIT	Description
EXIPTZ2000	IP Enabled Explosion Proof PTZ
POWER SUPPLY	
024	24Vac, 50/60Hz, 120W max
120	120Vac, 50/60Hz, 120W max
230	230Vac, 50/60Hz, 120W max
CAMERA	
30X	Day/Night camera 30X optical zoom lens