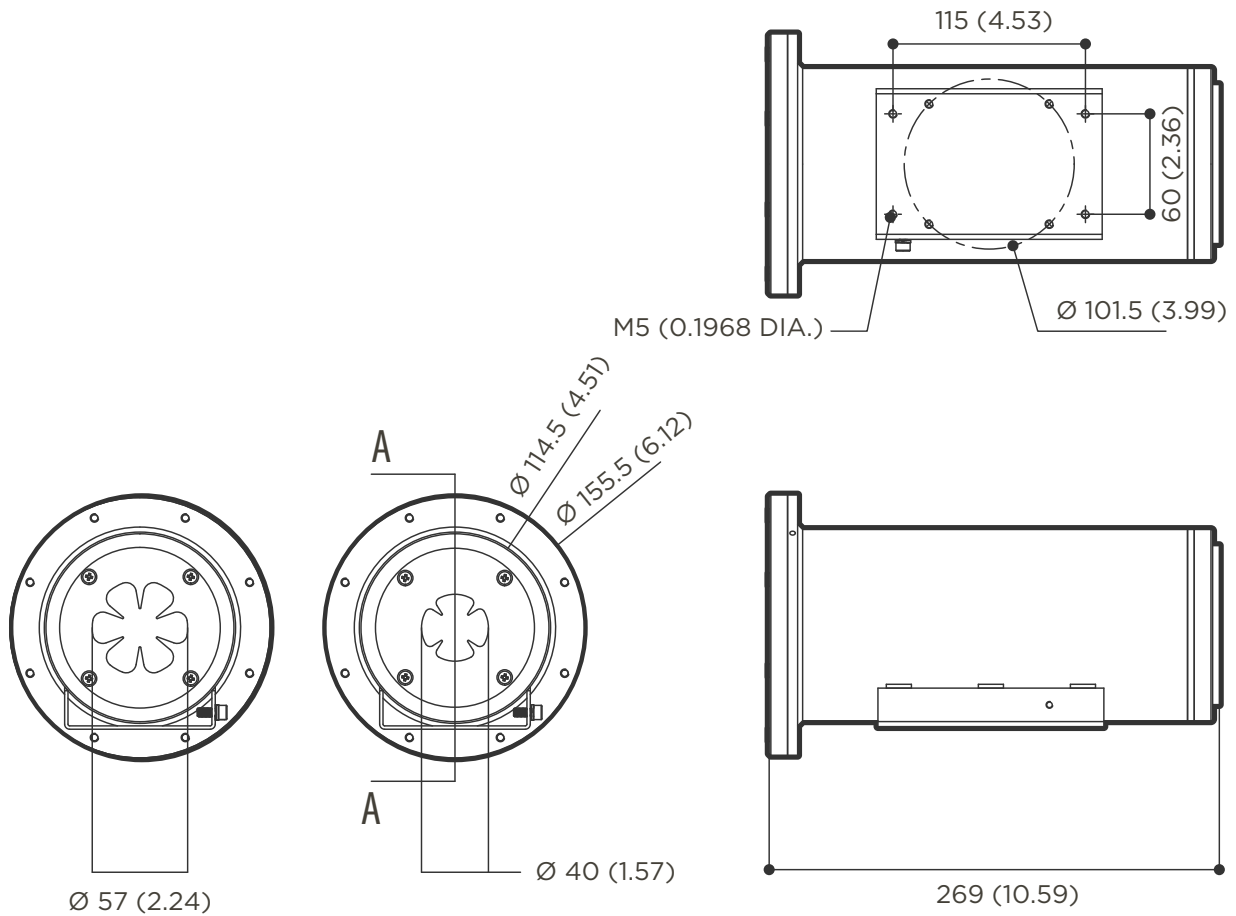
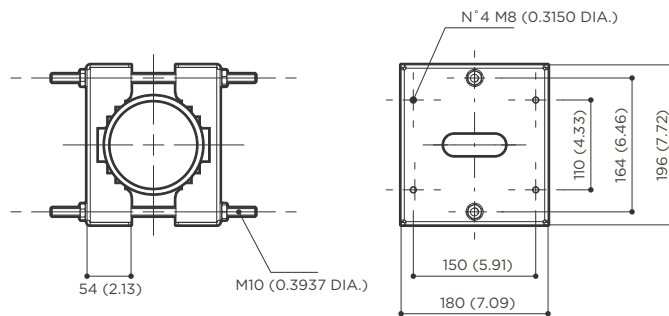


OVERALL DIMENSIONS Unit: mm (inch)



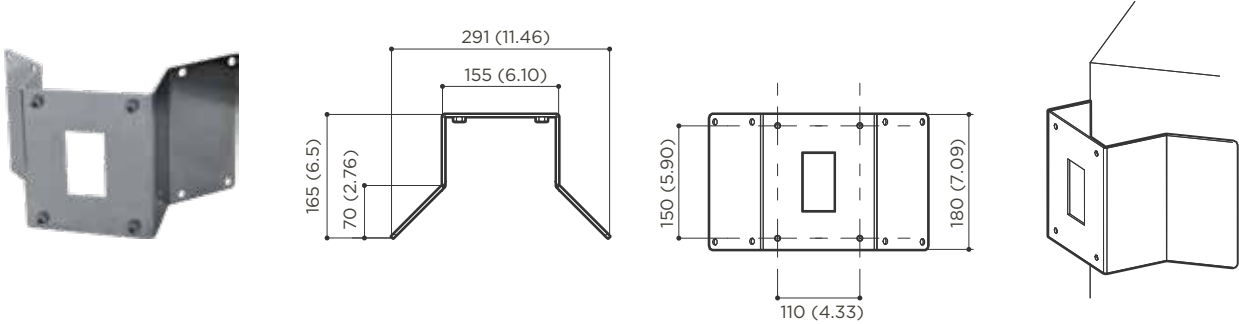
MOUNTING ACCESSORIES Unit: inch (mm)

Pole Mount Adapter



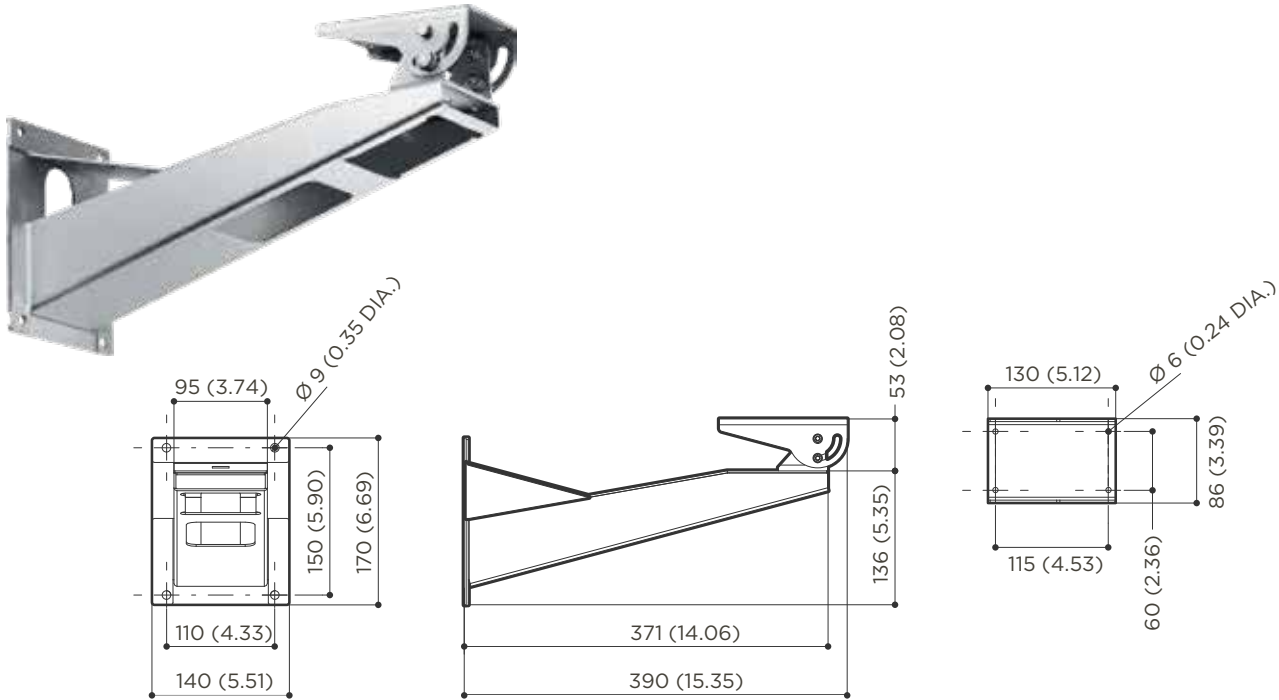
PART #	POLE MOUNT ADAPTER
NXCOL	Made of AISI 316L electropolished stainless steel
	For pole diameters: from 110mm (4.3in) up to 150mm (5.9in)
	Load Rating: 50kg (110lbs)
	Dimensions: 180x196mm (7.0x7.7i)

Corner Mount Adapter



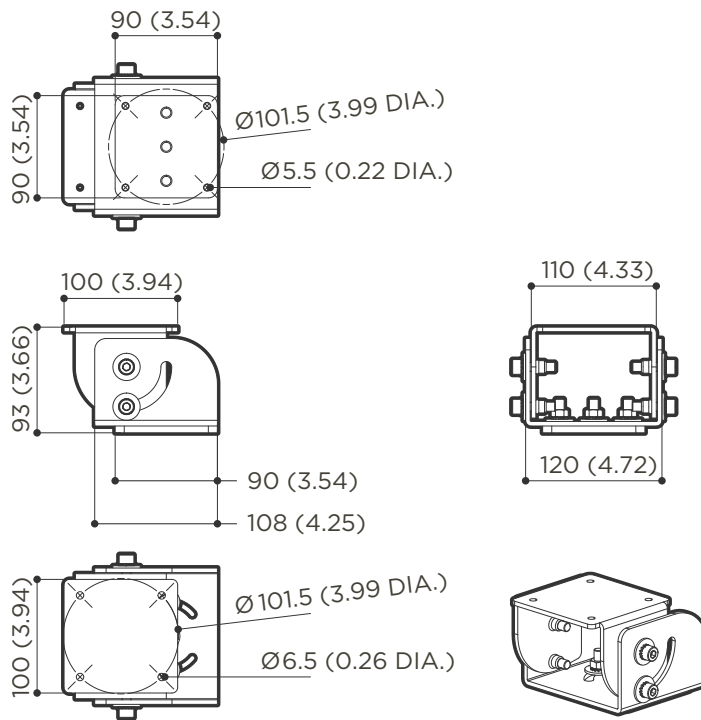
PART #		CORNER MOUNT ADAPTER
NXCW		Made of AISI 316L electropolished stainless steel
		Load Rating: 50kg (110lbs)
		Dimensions: 180x291mm (7x11.5in)

Wall Mount Bracket



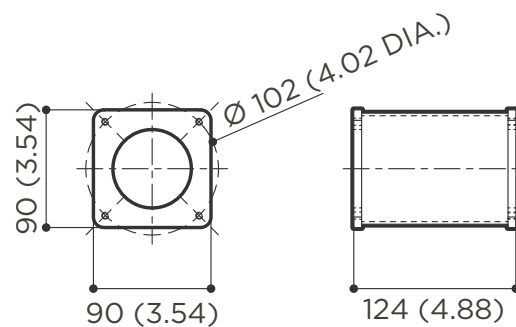
PART #		WALL MOUNT
NXWBS1		Made of AISI 316L electropolished stainless steel
		Load Rating: 45kg (99lb)
		Dimensions: 371x186mm (14.6x7.3in)
		Suitable for: NXCOL, NXCW

Parapet Mounting Bracket



PART # PARAPET MOUNTING BRACKET	
MHXFWCA	Made of AISI 316L electropolished stainless steel
	Load Rating: 40kg (88lb)
	Dimensions: \varnothing 101.6mm (4in)
	Compatible with the bracket: NXFWBT

Extension Bracket for Parapet Mounting



PART # PARAPET MOUNTING BRACKET	
NXFWBT	Made of AISI 316L electropolished stainless steel
	Load Rating: 70kg (154lb)
	Height: 124mm (4.9in)
	Suitable for MHXFWCA ball joint
	Suitable to MVX housings only if coupled with MHXFWCA joint