



## EXIPTZ1003 EXPLOSION PROOF PTZ CAMERA

### FEATURES

- Electropolished AISI 316L stainless steel explosion proof P&T head
- Certifications for use in Zone 1 and 2, Group IIC T6 (Gas), and in Zone 21 and 22, Group IIIC T85° (Dust) Full HD
- Full HD 1080p, 30x, 60fps
- 30x zoom (360x with digital zoom)
- Certified ONVIF, Profile S

### KEY BENEFITS

- Durable, low maintenance housing
- Certified for environments with combustible dust and gases
- High quality, high definition video
- Precise zoom and positioning control
- Inter-operable with ONVIF certified systems

The EXIPTZ1003 explosion-proof PTZ camera delivers high performance video monitoring for refineries, gas pipelines, offshore platforms, industrial processes and other industries where potentially explosive atmospheres may exist.

The camera has an integrated inspection box which simplifies the wiring and installation of the unit.

High quality imaging is made possible by the HD, 1080p, 60fps camera with 30x optical zoom. The video is transported over an IP based Ethernet network, using H.264/AVC and MJPEG compression and ONVIF Profile S compatibility.

# TECHNICAL SPECIFICATIONS

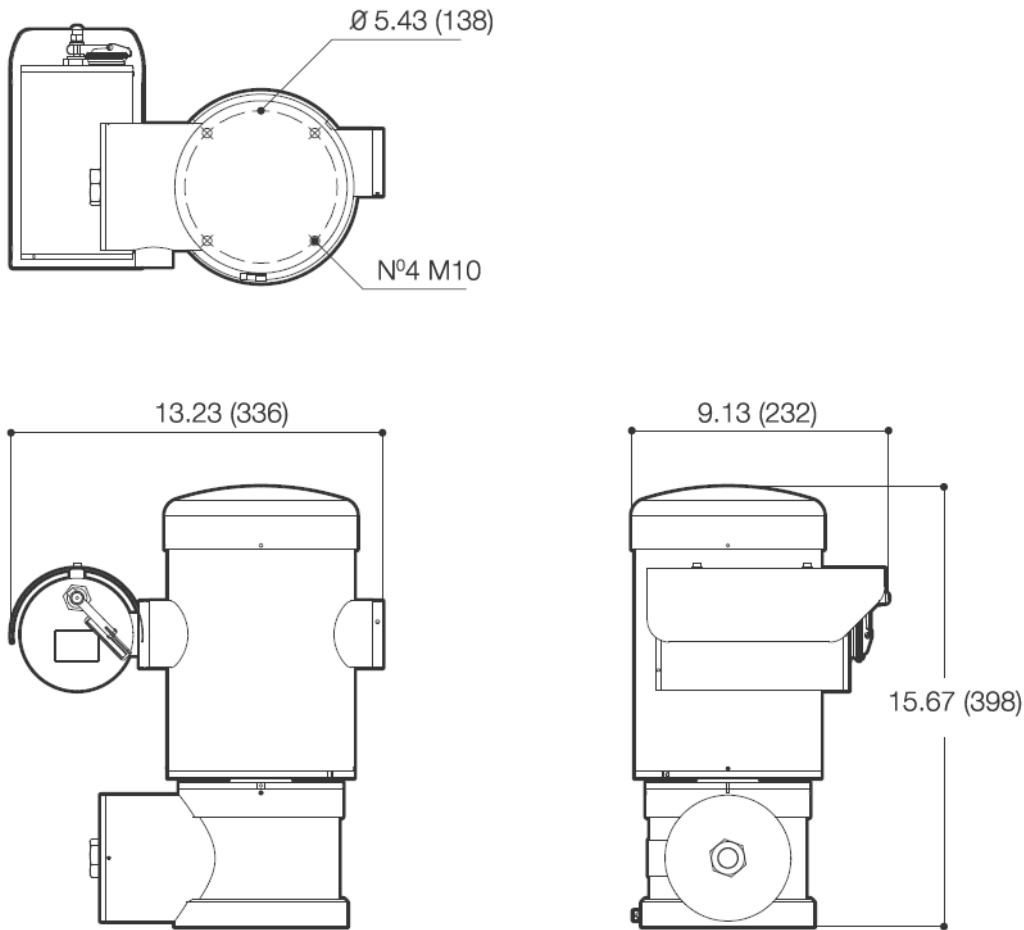
SPECIFICATIONS	
<b>GENERAL</b>	
AISI 316 Stainless Steel	
Passivated and electropolished external surfaces	
Quick configuration and setup	
Dynamic positioning control system	
<b>MECHANICAL</b>	
1 3/4" NPT hole for cable glands	
Zero backlash	
Horizontal rotation: 360° continuous	
Vertical rotation: -90° to +90°	
Horizontal speed (variable): from 0.1° to 100°/s	
Tilt speed (variable) : from 0.1° to 100°/s	
Preset accuracy: 0.02°	
12mm thick tempered glass window	
Integrated Wiper	
Unit weight: 27kg (60lb)	
<b>ELECTRICAL</b>	
Input voltage:	
<ul style="list-style-type: none"> <li>• 230Vac, 50/60Hz, 120W max</li> <li>• 24Vac, 50/60Hz, 120W max</li> <li>• 120Vac, 50/60Hz, 120W max</li> </ul>	
I/O alarm card:	
<ul style="list-style-type: none"> <li>• Alarm inputs: 1</li> <li>• Relay outputs: 1 (1A, 30Vac/60Vdc max)</li> </ul>	
<b>COMMUNICATION S</b>	
<ul style="list-style-type: none"> <li>• RJ45, 10BASE-T/100BASE-T</li> </ul>	

PROTOCOLS
<ul style="list-style-type: none"> <li>• Video compression: H.264/AVC, MJPEG</li> <li>• Two independent video streams</li> <li>• Image resolution: from FullHD to 352x240 in 18 steps</li> <li>• Web Server</li> <li>• Communication protocol: ONVIF, Profile S</li> </ul>
ENVIRONMENT
Indoor/Outdoor
Operating temperature -40°C (-40°F)/+60°C(+140°F)
Relative humidity: from 10% up to 95% (no condensation)

CERTIFICATIONS
ATEX (EN 60079-0: 2012+A11: 2013, EN 60079-1: 2007, EN 60079-31: 2009): <ul style="list-style-type: none"> <li>• Ex II 2 G Ex d IIC T6 Gb Ta -40°C to +60°C</li> <li>• Ex II 2 D Ex tb IIIC T85°C Db Ta -40°C to +60°C</li> <li>• IP66</li> </ul>
IECEx (IEC 60079-0: 2011, IEC 60079-1: 2007-04, IEC 60079-31: 2008): <ul style="list-style-type: none"> <li>• Ex d IIC T6 Gb Ta -40°C to +60°C</li> <li>• Ex tb IIIC T85°C Db Ta -40°C to +60°C</li> <li>• IP66</li> </ul>
UL listed for USA (only for 24VAC version): <ul style="list-style-type: none"> <li>• Class I, Zone 1, AEx d IIC T6</li> <li>• Zone 21, AEx tb IIIC T85°C</li> <li>• Class I, Division 2, Groups A, B, C, and D</li> <li>• Class II, Division 2, Groups F and G</li> </ul>
UL listed for Canada (only for 24VAC version): <ul style="list-style-type: none"> <li>• Class I, Zone 1, Ex d IIC T6 Gb</li> <li>• Class II, Groups E, F and G</li> <li>• Class I, Division 2, Groups A, B, C, and D</li> <li>• Class II, Division 2, Groups F and G</li> </ul>

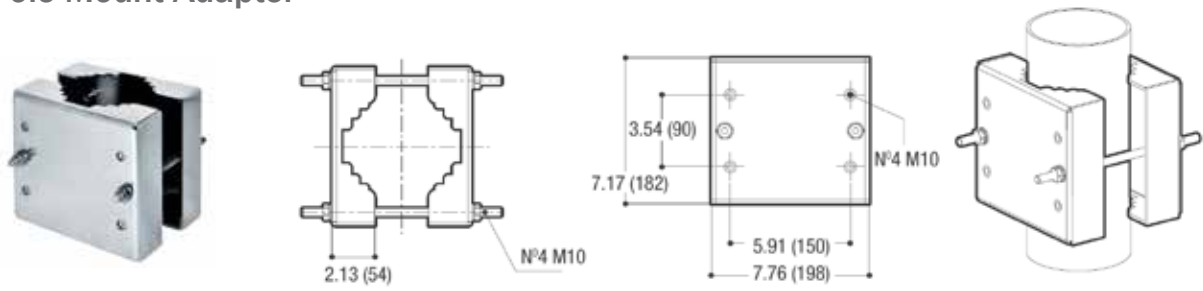
CAMERA	
<b>DAY/NIGHT FULL HD 30X</b>	
Image Device:	1/2.8 type Exmor™ CMOS sensor
Effective Pixels:	Approx. 2.38 Megapixels
Minimum Illumination: Color (ICR-OFF): <ul style="list-style-type: none"> <li>• 1.4lx, 1/30s, 50 IRE (Normal mode)</li> <li>• 0.35lx, 1/30s, 50 IRE (High sensitivity mode)</li> <li>• 0.19lx, 1/3s, 50 IRE (Normal mode)</li> <li>• 0.05lx, 1/3s, 50 IRE (High sensitivity mode)</li> </ul>	
Minimum Illumination: B/W (ICR-ON): <ul style="list-style-type: none"> <li>• 0.05lx, 1/30s, 50 IRE (Normal mode)</li> <li>• 0.013lx, 1/30s, 50 IRE (High sensitivity mode)</li> <li>• 0.002lx, 1/3s, 30 IRE (High sensitivity mode)</li> </ul>	
Lens:	f=4.3 mm (wide) ~ 129.0 mm (tele), from F1.6 to F4.7
Zoom:	30x (360x with digital zoom)
Horizontal Viewing Angle:	from 63.7° (wide end) up to 2.3° (tele end)
Minimum object distance:	from 10mm (wide) up to 1200mm (tele)
Electronic Shutter:	1/1 to 1/10000 s, 22 steps
White balance:	Auto, ATW, Indoor, Outdoor, Outdoor Auto, Sodium vapor lamp (Fix, Auto, Outdoor Auto), One-push, Manual
Gain:	Auto, Manual, Gain Limit (from 3dB up to 43dB, steps: 3dB)
Wide Dynamic Range:	On/Off/Visibility enhancer, Light level, Brightness compensation selection, Compensation level
Focus System: Auto (Sensitivity):	Normal, Low), One-push AF, Manual, Focus compensation with ICR On, Interval AF, Zoom trigger AF
Picture Effects:	E-flip, Mirror image, Color enhancement
Exposure Control:	Auto, EV Compensation, Manual, Priority (Shutter priority, Iris priority), Brightness, Slow AE
S/N Ratio:	more than 50dB
Wide-D (wide dynamic range):	130dB
De-fog:	On/Off

# OVERALL DIMENSIONS Unit: inch (mm)



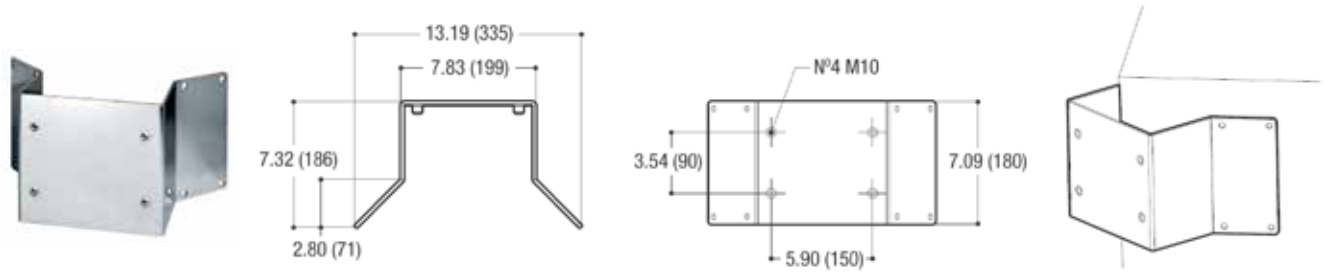
# MOUNTING ACCESSORIES Unit: inch (mm)

## Pole Mount Adapter



<b>POLE MOUNT ADAPTER</b>
Made of AISI 316L electropolished stainless steel
For pole diameters: 110-150mm (4.3 - 5.9in)
Load Rating: 50kg (110lbs)
Package Weight: 4.9kg (10.8lbs)
Package Dimensions: 24x15x21.5cm (9.4x6x8.5in)

## Corner Mount Adapter



### CORNER MOUNT ADAPTER

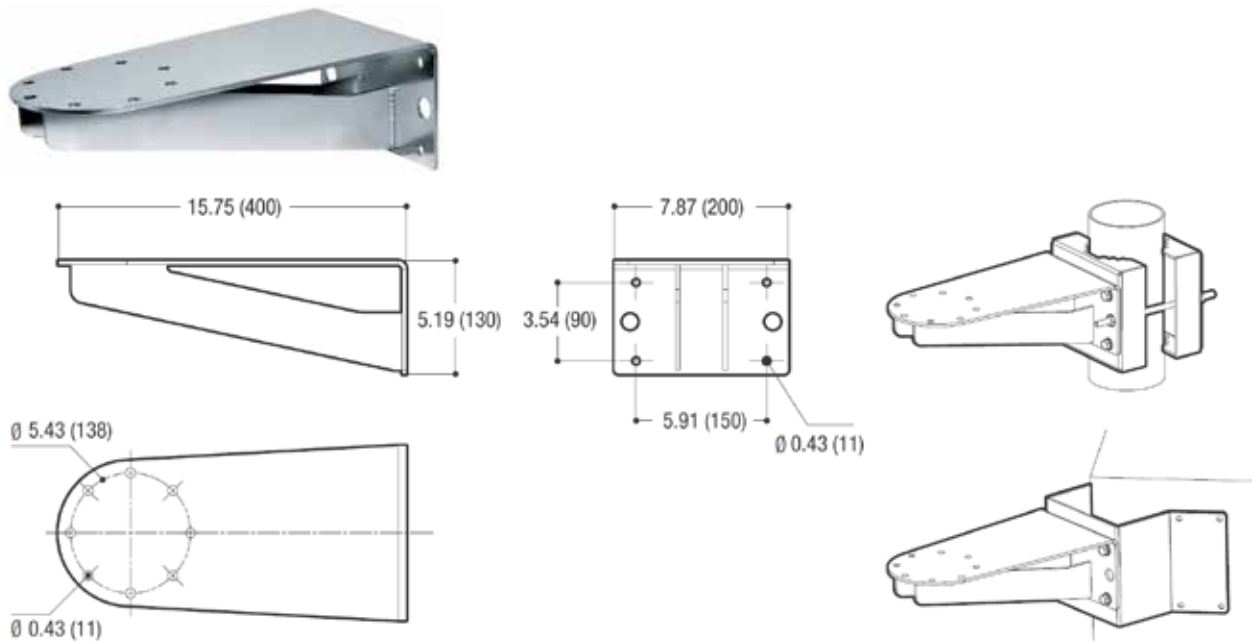
Made of AISI 316L electropolished stainless steel

Load Rating: 50kg (110lbs)

Package Weight: 4.8kg (10.6lbs)

Package Dimensions: 36.5x25.5x26cm (14.4x10x10.2in)

## Wall Mount



### WALL MOUNT

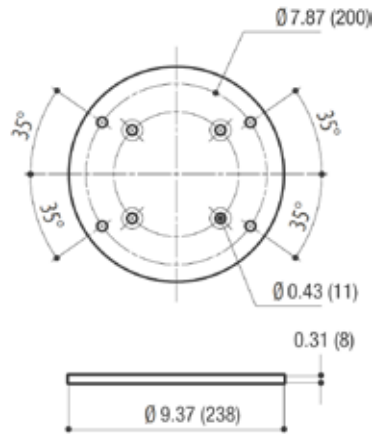
Made of AISI 316L electropolished stainless steel

Load Rating: 40kg (88lbs)

Package Weight: 6.5kg (14.3lbs)

Package Dimensions: 58x34x22cm (23x13.4x8.7in)

## Ceiling or Parapet Mount



### CEILING OR PARAPET MOUNT

Made of AISI 316L electropolished stainless steel
Load Rating: 40kg (88lbs)
Package Weight: 3.2kg (7.1lbs)
Package Dimensions: 33x27x6.5cm (13x11x2.4in)

## CONFIGURATION



BASE UNIT	Description
EXIPTZ1003	IP Enabled Explosion Proof PTZ
POWER SUPPLY	
024	24Vac, 50/60Hz, 120W max
120	120Vac, 50/60Hz, 120W max
230	230Vac, 50/60Hz, 120W max
CAMERA	
30X	Day/Night camera 30X optical zoom lens
ALARM BOARD	
A	With Alarm Board
WIPER	
W	With Wiper
VIDEO OUTPUT	
H	IP H.264/AVC, Protocol ONVIF Profile S
MOUNT	
S01	Wall Mount Arm
S02	Parapet or Ceiling Mount
S03	Corner Adapter and Wall mount arm
S04	Pole Adapter and Wall mount arm
SXX	None



Systems With Intelligence Inc.  
6889 Rexwood Road, Unit #9  
Mississauga, Ontario, CANADA  
L4V 1R2

Tel: +1-289-562-0126  
Fax: +1-289-562-0152

**General Inquiries:**  
[info@SystemsWithIntelligence.com](mailto:info@SystemsWithIntelligence.com)

**Sales Inquiries:**  
[sales@SystemsWithIntelligence.com](mailto:sales@SystemsWithIntelligence.com)

**Product Support:**  
[support@SystemsWithIntelligence.com](mailto:support@SystemsWithIntelligence.com)

All specifications in this document are subject to change without notice.  
© Copyright 2017 Systems With Intelligence Incorporated. All rights reserved.