



EXIPTZ2010

STAINLESS STEEL PTZ CAMERA FOR HAZARDOUS LOCATIONS

FEATURES

- Hazardous locations certified PTZ camera
- 3mp, 33X autofocus optical zoom
- AIS16L stainless steel construction
- Certification temperature -40°C +75°C
- Optional built-in 120VAC power supply
- Optional built-in fiber media converter
- Integrated wiper
- Edge computing
- NDAA compliant

TECHNICAL SPECIFICATIONS

EXIPTZ2010 SPECIFICATIONS	
GENERAL & MECHANICAL	
Dimensions	See drawings next page
Operating Temperature	-40°F +140°F, +167°F peak (-40° +60°C, +75°C peak)
Construction	AISI316L Stainless Steel
Finish	Electro-polished
Mounting	4x Ø11 on 195 PCD
Cable entries	1x M25x1,5 or 3/4in (adapter)
Wiper	Yes
Pan Angle	360° (continuous rotation)
Pan Speed	0 – 40°/second
Pan Torque	20Nm (limited with safety device)
Tilt Angle	180° (+/-90°)
Tilt Speed	0 – 20°/second
Tilt Torque	20Nm (limited with safety device)
Rotation angle	Electronically adjustable limit switches
Backlash	<0,1°
Max preset accuracy	0.04°
Control protocol	Pelco D (RS485)
Weight	Unit: 35kg (77lb) / Package: 40kg (88lb)

NETWORK	
Interface	10/100 Mbps Ethernet
Security	User Authentication/ HTTPS/ IP Filter/ IEEE 802.1x/SNMPv3
ONVIF	ONVIF profile G/S/T compliant
Protocols	IPv4/v6, TCP, UDP, RTP, RTSP, HTTP, HTTPS, ICMP, FTP, SMTP, DHCP, PPP oE, UPnP, IGMP, SNMP, QoS, ARP, NTP

VIDEO/CAMERA	
Sensor	1/2.8" Progressive CMOS, 3MP
Resolution	Up to 2065x1553 @30fps
Compression	H.265/H.264/MJPEG
Streaming	Up to 4 configurable streams
Frame Rate	30 fps
Sensitivity	Color: 0.04 lux, B/W: 0.002 lux
Shutter Speed	1~1/10000 s
Optical Filter	Automatically removable IR-cut filter
White Balance	Contrast White Balance
Dynamic range	WDR/HDR
Analytics	33x Optical Zoom, 10x Digital Zoom, AF, 4.6-152mm, F1.6, P-Iris, Auto-Iris
Image settings	Color, Brightness, Sharpness, Contrast, White Balance, Exposure control, 2DNR/3DNR/NR by motion masking
Event Triggers	External Input, Analytics, Network Failure Detection, Periodical Event, Manual Trigger
Event Actions	External Output Activation
Local storage	microSD (card not provided)
Network Storage	support for recording to NAS



TECHNICAL SPECIFICATIONS (CONT'D)

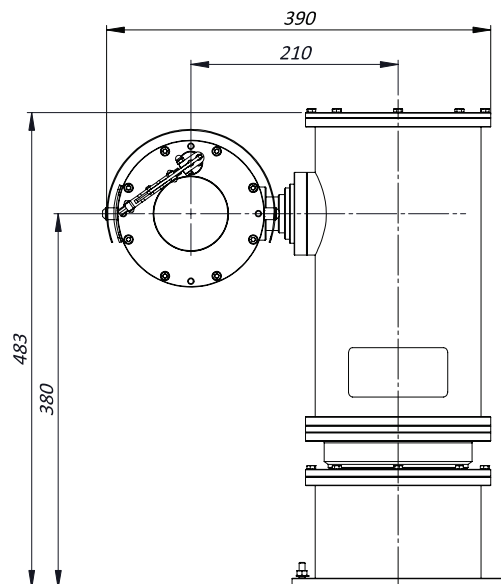
EXIPTZ2010 SPECIFICATIONS	
ELECTRICAL	
Thermostatically controlled heater	T[°C] ON = 53 ± 8°F (12 ± 4°C) T[°C] OFF = 68°F ± 5°F (20 ± 3°C)
Supply voltage	24VAC, 120VAC (+/-10%)
Power consumption	9W min (stationary and heater/wiper off), 95W MAX
Iris	DC-Auto/Manual

CERTIFICATIONS	
Ingress Protection	EN 60529 (IP66/IP67); NEMA 4X
Rating	Class I, Zone 1, AEx db op pr IIC T6 Gb -40°C ≤ Tamb ≤ +60°C Zone 21, AEx tb IIIC T85°C Db -40°C ≤ Tamb ≤ +55°C Zone 21, AEx tb IIIC T90°C Db -40°C ≤ Tamb ≤ +60°C Class I, Zone 1, AEx db op pr IIB T5 Gb -40°C ≤ Tamb ≤ +75°C Zone 21, AEx tb IIIC T100°C Db -40°C ≤ Tamb ≤ +70°C Zone 21, AEx tb IIIC T105°C Db -40°C ≤ Tamb ≤ +75°C Class I, Div 2, Group A, B, C, D T6 -40°C ≤ Tamb ≤ +60°C * Class I, Div 2, Group C, D T5 -40°C ≤ Tamb ≤ +75°C *
* Suitable for Class I Div 2 using Zone 1 wiring methods as permitted per NEC Art. 501	
Vibrations	EN/IEC 60068-2-6; EN/IEC 60068-2-27
IECEX Standards	IEC 60079-0; IEC 60079-1; IEC 60079-28; IEC 60079-31

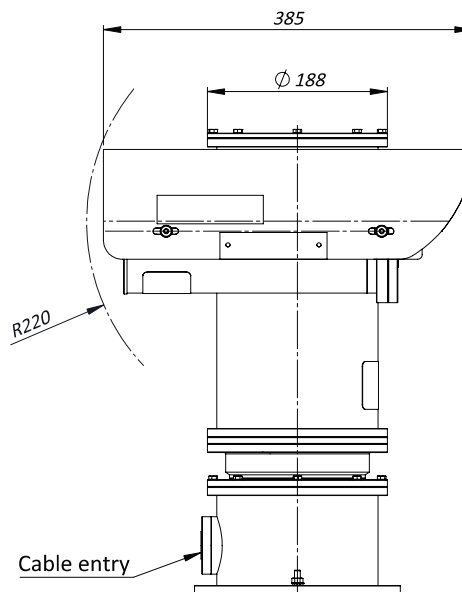
CERTIFICATIONS (CONT'D)	
EMC	EN 50130-4; EN 55035 ; EN/IEC 61000-6-2 ; EN/IEC 61000-6-4
LVD	EN 60950-1; EN 60950-22
FCC	FCC part 15B
RoHS	2011/65/EU + 2015/863/EU (RoHS 3)
WEEE	2012/19/EU
North American Standards	FM Class 3600; FM Class 3810; ANSI/UL 61010-1; ANSI/UL 60079-0; ANSI/UL 60079-1; ANSI/UL 60079-28; ANSI/ISA 60079-31; ANSI/UL 50E; ANSI/IEC 60529 CSA C22.2 No. 0.4; CSA C22.2 No. 0.5; CAN/CSA C22.2 No. 61010-1; CAN/CSA-C22.2 No. 60079-0; CAN/CSA-C22.2 No. 60079-1; CAN/CSA-C22.2 No. 60079-28; CAN/CSA-C22.2 No. 60079-31; CSA C22.2 No. 94.2; CAN/CSA C22.2 No. 60529

DIMENSIONS (dimensions in mm)

FRONT VIEW



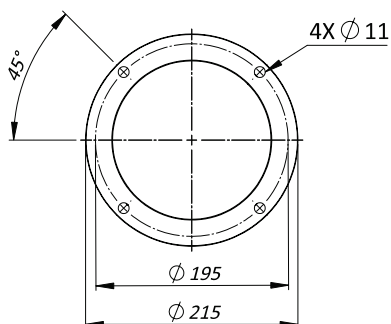
SIDE VIEW





DIMENSIONS (CONT'D)

MOUNTING PATTERN



MAX EXTERNAL LENGTH

Model	L1 [mm] Height	L2 [mm] Width
EXIPTZ2010	483 (19in)	390 (15in)

The unit cannot be installed upside-down nor horizontally

CONFIGURATION



BASE UNIT	Description
EXIPTZ2010	STAINLESS STEEL PTZ CAMERA FOR HAZARDOUS LOCATIONS
POWER	
PT07	24VAC Pan Tilt Base
PT08	120VAC Pan Tilt Base
VISUAL CAMERA	
FZ06	High Definition 33X Zoom Camera, 4.6 to 152mm lens.
BRACKETS	
A27	AISI316L wall mounting bracket



Follow Us:



Systems With Intelligence Inc.
6889 Rexwood Road, Unit #9
Mississauga, Ontario, CANADA
L4V 1R2

Tel: +1-289-562-0126

Fax: +1-289-562-0152

General Inquiries:

info@SystemsWithIntelligence.com

Sales Inquiries:

sales@SystemsWithIntelligence.com

Product Support:

support@SystemsWithIntelligence.com

All specifications in this document are subject to change without notice.

© Copyright 2023 Systems With Intelligence Incorporated. All rights reserved.