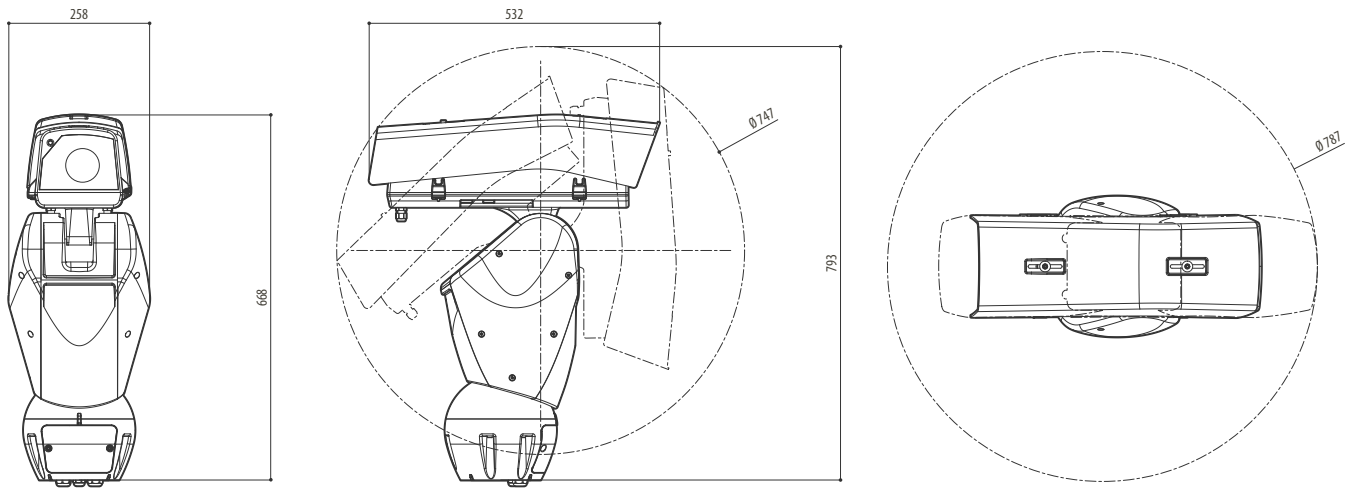


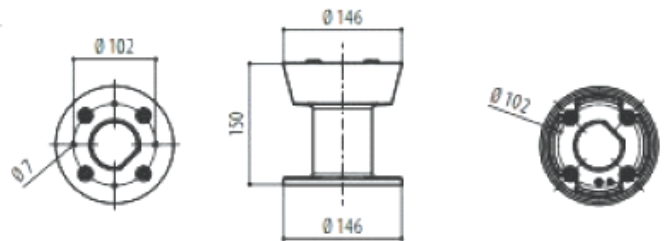
PAN/TILT HOUSING DIMENSIONS Unit: mm



MOUNTING OPTIONS Unit: mm

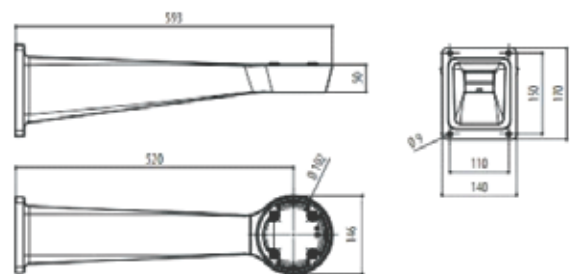
Parapet Bracket - Pan/Tilt, Option A04

- Made of die-cast aluminum
- Epoxypolyester power painting
- Internal cable management
- Unit Weight: 1.6kg (3.5lb)



Wall Mount Bracket - Pan/Tilt, Option A08

- Made of die-cast aluminum
- Epoxypolyester power painting
- Wall bracket with internal cable channel
- Unit Weight: 3.1kg (6.6lb)



Pole Mount Bracket with Arm - Pan/Tilt, Option A13

- Pole Installation
- Pole Diameter: 80- 150mm (3.14 - 5.9in)

